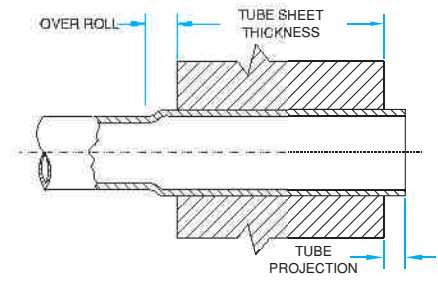
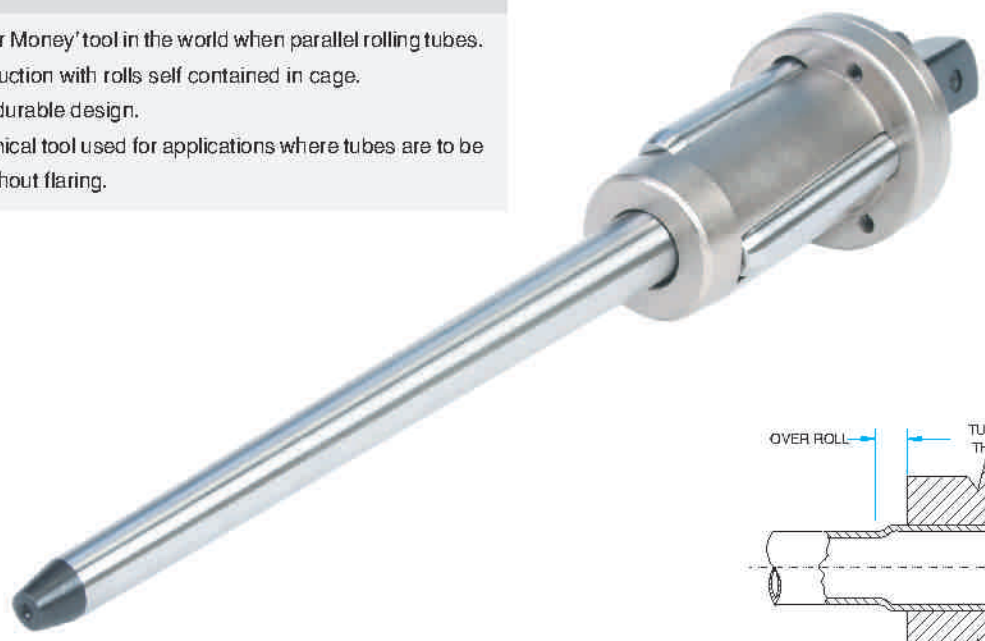


7/8" - 4 1/2"
O.D.

A SERIES

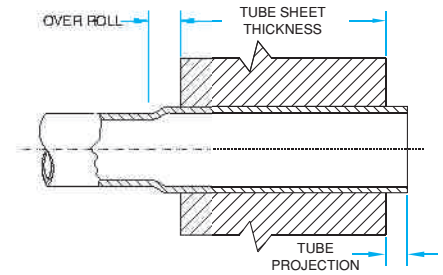
- Features :*
- Best 'Value for Money' tool in the world when parallel rolling tubes.
 - Sturdy construction with rolls self contained in cage.
 - Time tested, durable design.
 - Use - Economical tool used for applications where tubes are to be expanded without flaring.



| Tube O.D. | Tube Thickness | | Tube O.D. | Tube Thickness | | Minimum I.D. Tool Enters | | Maximum Expansion Of Tool | | Tube Expander Model Number Tube Sheet Thickness Range | | | | |
|-----------|----------------|-------------|-----------|----------------|-------------|--------------------------|-------|---------------------------|-------|--|--------------|----------------|------------------|------------------|
| | inch | bwg | | inch | bwg | inch | mm | inch | mm | inch | 1/2" To 7/8" | 3/4" To 1.1/8" | 1.1/8" To 1.5/8" | 1.5/8" To 2.1/8" |
| 7/8 | 15 | .072 | 1 | 10 | .134 | 18.1 | .712 | 20.4 | .803 | A-31/2 | A-31/3 | - | - | - |
| 7/8 | 16 | .065 | | | | 18.4 | .724 | 20.7 | .814 | A-32/2 | A-32/3 | - | - | - |
| 7/8 | 17 | .058 | 1 | 11 | .120 | 18.8 | .740 | 21.1 | .830 | A-33/2 | A-33/3 | - | - | - |
| 7/8 | 18 | .049 | 1 | 12 | .109 | 19.4 | .763 | 21.6 | .850 | A-34/2 | A-34/3 | - | - | - |
| 7/8 | 19 & 20 | .042 & .035 | 1.1/8 | 8 | .165 | 19.7 | .775 | 22.3 | .877 | A-35/2 | A-35/3 | - | - | - |
| 1 | 13 | .095 | | | | 20.1 | .791 | 22.4 | .881 | A-36/2 | A-36/3 | - | - | - |
| 1 | 14 | .083 | 1.1/8 | 9 | .148 | 20.6 | .811 | 23.1 | .909 | A-37/2 | A-37/3 | A-37/4 | - | - |
| 1 | 15 & 16 | .072 & .065 | 1.1/8 | 10 | .134 | 21.3 | .838 | 23.8 | .937 | A-38/2 | A-38/3 | A-38/4 | - | - |
| 1 | 17 & 18 | .058 & .048 | 1.1/8 | 11 | .120 | 22.0 | .866 | 24.5 | .964 | A-39/2 | A-39/3 | A-39/4 | - | - |
| 1 | 19 & 20 | .042 & .035 | 1.1/8 | 12 | .109 | 22.4 | .881 | 25.0 | .984 | A-40/2 | A-40/3 | A-40/4 | - | - |
| 1.1/4 | 8 | .165 | 1.1/8 | 13 | .095 | 23.3 | .917 | 25.9 | 1.019 | A-41/2 | A-41/3 | A-41/4 | - | - |
| 1.1/4 | 9 | .148 | 1.1/8 | 14 | .083 | 23.8 | .937 | 26.5 | 1.043 | A-42/2 | A-42/3 | A-42/4 | - | - |
| 1.1/4 | 10 | .134 | 1.1/8 | 15 & 16 | .072 & .065 | 24.4 | .960 | 27.2 | 1.070 | A-43/2 | A-43/3 | A-43/4 | - | - |
| 1.1/4 | 11 | .120 | | | | 25.2 | .992 | 28.0 | 1.102 | A-44/2 | A-44/3 | A-44/4 | - | - |
| 1.1/4 | 12 | .109 | | | | 25.7 | 1.011 | 28.5 | 1.122 | A-45/2 | A-45/3 | A-45/4 | - | - |
| 1.1/4 | 13 | .095 | 1.3/8 | 8 | .165 | 26.1 | 1.027 | 28.8 | 1.133 | A-46/2 | A-46/3 | A-46/4 | - | - |
| 1.1/4 | 14 | .083 | | | | 26.4 | 1.039 | 29.2 | 1.149 | A-47/2 | A-47/3 | A-47/4 | - | - |
| 1.1/4 | 15 | .072 | 1.3/8 | 9 | .148 | 26.9 | 1.059 | 29.7 | 1.169 | A-48/2 | A-48/3 | A-48/4 | - | - |
| 1.1/4 | 16 | .065 | 1.3/8 | 10 | .134 | 27.6 | 1.086 | 30.4 | 1.196 | A-49/2 | A-49/3 | A-49/4 | A-49/5 | A-49/6 |
| 1.1/2 | 7 | .180 | 1.3/8 | 11 | .120 | 28.3 | 1.114 | 31.2 | 1.228 | A-50/2 | A-50/3 | A-50/4 | A-50/5 | A-50/6 |
| 1.1/2 | 8 | .165 | 1.3/8 | 12 | .109 | 28.8 | 1.133 | 31.7 | 1.248 | A-51/2 | A-51/3 | A-51/4 | A-51/5 | A-51/6 |
| 1.1/2 | 9 | .148 | 1.3/8 | 13 & 14 | .095 & .083 | 29.5 | 1.161 | 33.4 | 1.314 | A-52/2 | A-52/3 | A-52/4 | A-52/5 | A-52/6 |
| 1.1/2 | 10 | .134 | 1.3/8 | 15 & 16 | .072 & .065 | 30.0 | 1.181 | 34.1 | 1.342 | A-53/2 | A-53/3 | A-53/4 | A-53/5 | A-53/6 |
| 1.1/2 | 11 & 12 | .120 & .109 | | | | 30.6 | 1.204 | 34.8 | 1.370 | A-54/2 | A-54/3 | A-54/4 | A-54/5 | A-54/6 |
| 1.1/2 | 13 | .095 | 1.3/4 | 5 | .220 | 31.4 | 1.236 | 35.6 | 1.401 | A-55/2 | A-55/3 | A-55/4 | A-55/5 | A-55/6 |
| 1.1/2 | 14 & 15 | .083 & .072 | 1.3/4 | 6 | .203 | 32.6 | 1.283 | 36.8 | 1.448 | A-56/2 | A-56/3 | A-56/4 | A-56/5 | A-56/6 |
| | | | 1.3/4 | 7 | .180 | 33.4 | 1.314 | 38.1 | 1.500 | A-57/2 | A-57/3 | A-57/4 | A-57/5 | A-57/6 |
| | | | 1.3/4 | 8 | .165 | 34.2 | 1.346 | 38.7 | 1.523 | A-58/2 | A-58/3 | A-58/4 | A-58/5 | A-58/6 |
| 2 | 3 | .259 | 1.3/4 | 9 & 10 | .148 & .134 | 35.0 | 1.377 | 40.6 | 1.598 | A-59/2 | A-59/3 | A-59/4 | A-59/5 | A-59/6 |
| 2 | 4 | .238 | 1.3/4 | 11 & 12 | .120 & .109 | 36.6 | 1.440 | 42.2 | 1.661 | A-60/2 | A-60/3 | A-60/4 | A-60/5 | A-60/6 |
| 2 | 5 & 6 | .220 & .203 | 1.3/4 | 13 & 14 | .095 & .083 | 38.2 | 1.503 | 43.8 | 1.712 | A-61/2 | A-61/3 | A-61/4 | A-61/5 | A-61/6 |
| 2 | 7 & 8 | .180 & .165 | 1.3/4 | 15 & 16 | .072 & .065 | 39.8 | 1.566 | 45.4 | 1.787 | A-62/2 | A-62/3 | A-62/4 | A-62/5 | A-62/6 |
| 2 | 9 & 10 | .148 & .134 | 2.1/4 | 3 | .259 | 41.4 | 1.629 | 47.0 | 1.850 | A-63/2 | A-63/3 | A-63/4 | A-63/5 | A-63/6 |
| 2 | 11 - 13 | .120 - .095 | 2.1/4 | 4 | .238 | 42.9 | 1.688 | 49.5 | 1.948 | A-64/2 | A-64/3 | A-64/4 | A-64/5 | A-64/6 |
| 2 | 14 - 16 | .083 - .065 | 2.1/4 | 6 & 7 | .203 & .180 | 44.5 | 1.751 | 51.1 | 2.011 | A-65/2 | A-65/3 | A-65/4 | A-65/5 | A-65/6 |
| 2 | 17 & 18 | .058 & .049 | 2.1/4 | 8 & 9 | .165 & .148 | 46.1 | 1.814 | 52.7 | 2.074 | A-66/2 | A-66/3 | A-66/4 | A-66/5 | A-66/6 |

A SERIES

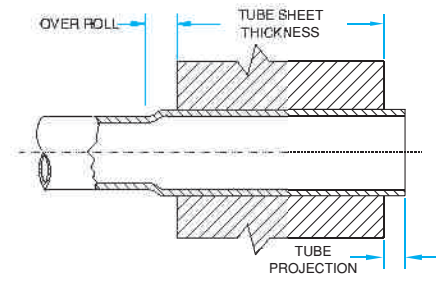
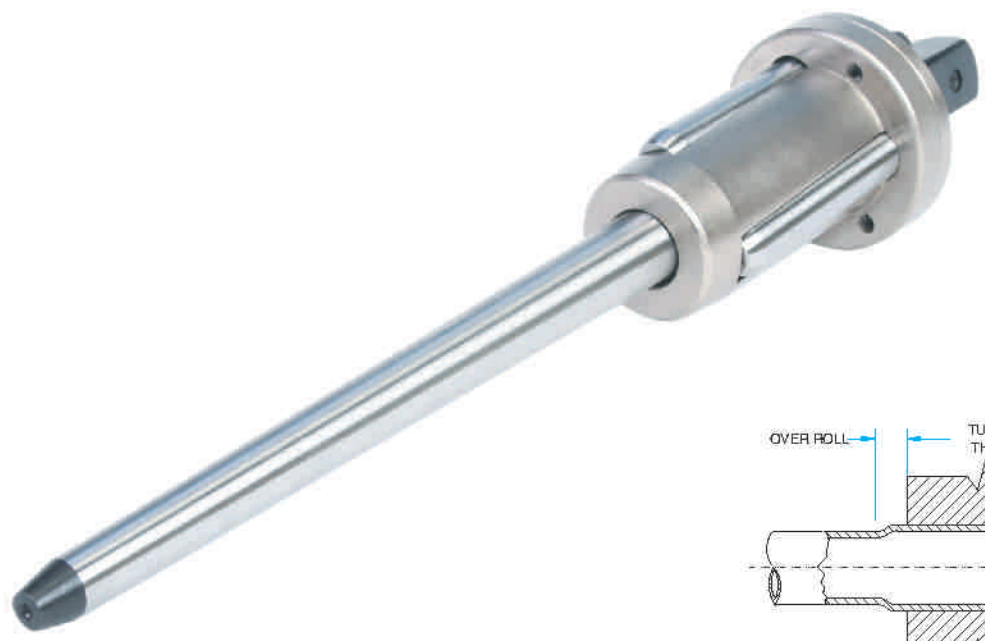
7/8" - 4 1/2"
O.D.



| Spare Rollers Set Model Number Tube Sheet Thickness Range | | | | | Mandrel Square Drive Size inch | Spare Mandrel Model Number | | |
|--|----------------------|------------------------|------------------------|------------------------|--|----------------------------|----------------|--|
| 1/2" To 7/8" | 3/4" To 1 1/8" | 1 1/8" To 1 5/8" | 1 5/8" To 2 1/8" | 2 1/8" To 2 5/8" | | Drum Type | Header Type | Short Series Mandrel Set (No. Of Mandrels) |
| 15-2-RS | 15-3-RS | - | - | - | 3/8 | DM-11 | - | - |
| 15-2-RS | 15-3-RS | - | - | - | 3/8 | DM-12 | - | - |
| 16-2-RS | 16-3-RS | - | - | - | 3/8 | DM-12 | - | - |
| 20-2-RS | 20-3-RS | - | - | - | 3/8 | DM-12 | - | - |
| 17-2-RS | 17-3-RS | - | - | - | 3/8 | DM-13 | - | - |
| 18-2-RS | 18-3-RS | - | - | - | 3/8 | DM-12 | - | - |
| 18-2-RS | 18-3-RS | 18-4-RS | - | - | 3/8 | DM-13 | HM-13 | SM-13 (2) |
| 19-2-RS | 19-3-RS | 19-4-RS | - | - | 3/8 | DM-13 | HM-13 | SM-13 (2) |
| 21-2-RS | 21-3-RS | 21-4-RS | - | - | 3/8 | DM-13 | HM-13 | SM-13 (2) |
| 21-2-RS | 21-3-RS | 21-4-RS | - | - | 3/8 | DM-14 | HM-14 | SM-14 (2) |
| 22-2-RS | 22-3-RS | 22-4-RS | - | - | 3/8 | DM-14 | HM-14 | SM-14 (2) |
| 23-2-RS | 23-3-RS | 23-4-RS | - | - | 1/2 | DM-15 | HM-15 | SM-15 (2) |
| 24-2-RS | 24-3-RS | 24-4-RS | - | - | 1/2 | DM-15 | HM-15 | SM-15 (2) |
| 26-2-RS | 26-3-RS | 26-4-RS | - | - | 1/2 | DM-16 | HM-16 | SM-16 (2) |
| 27-2-RS | 27-3-RS | 27-4-RS | - | - | 1/2 | DM-16 | HM-16 | SM-16 (2) |
| 31-2-RS | 31-3-RS | 31-4-RS | - | - | 1/2 | DM-16 | HM-16 | SM-16 (2) |
| 28-2-RS | 28-3-RS | 28-4-RS | - | - | 1/2 | DM-17 | HM-17 | SM-17 (2) |
| 29-2-RS | 29-3-RS | 29-4-RS | - | - | 1/2 | DM-17 | HM-17 | SM-17 (2) |
| 30-2-RS | 30-3-RS | 30-4-RS | 30-5-RS | 30-6-RS | 1/2 | DM-17 | HM-17 | SM-17 (2) |
| 30-2-RS | 30-3-RS | 30-4-RS | 30-5-RS | 30-6-RS | 1/2 | DM-18 | HM-18 | SM-18 (2) |
| 32-2-RS | 32-3-RS | 32-4-RS | 32-5-RS | 32-6-RS | 1/2 | DM-18 | HM-18 | SM-18 (2) |
| 28-2-RS | 28-3-RS | 28-4-RS | 28-5-RS | 28-6-RS | 1/2 | DM-20 | HM-20 | SM-20 (2) |
| 29-2-RS | 29-3-RS | 29-4-RS | 29-5-RS | 29-6-RS | 1/2 | DM-20 | HM-20 | SM-20 (2) |
| 30-2-RS | 30-3-RS | 30-4-RS | 30-5-RS | 30-6-RS | 1/2 | DM-20 | HM-20 | SM-20 (2) |
| 33-2-RS | 33-3-RS | 33-4-RS | 33-5-RS | 33-6-RS | 1/2 | DM-20 | HM-20 | SM-20 (2) |
| 32-2-RS | 32-3-RS | 32-4-RS | 32-5-RS | 32-6-RS | 1/2 | DM-21 | HM-21 | SM-21 (2) |
| 36-2-RS | 36-3-RS | 36-4-RS | 36-5-RS | 36-6-RS | 1/2 | DM-21 | HM-21 | SM-21 (2) |
| 37-2-RS | 37-3-RS | 37-4-RS | 37-5-RS | 37-6-RS | 1/2 | DM-21 | HM-21 | SM-21 (2) |
| 33-2-RS | 33-3-RS | 33-4-RS | 33-5-RS | 33-6-RS | 3/4 | DM-22 | HM-22 | SM-22 (3) |
| 37-2-RS | 37-3-RS | 37-4-RS | 37-5-RS | 37-6-RS | 3/4 | DM-22 | HM-22 | SM-22 (3) |
| 38-2-RS | 38-3-RS | 38-4-RS | 38-5-RS | 38-6-RS | 3/4 | DM-22 | HM-22 | SM-22 (3) |
| 39-2-RS | 39-3-RS | 39-4-RS | 39-5-RS | 39-6-RS | 3/4 | DM-22 | HM-22 | SM-22 (3) |
| 40-2-RS | 40-3-RS | 40-4-RS | 40-5-RS | 40-6-RS | 3/4 | DM-22 | HM-22 | SM-22 (3) |
| 40-2-RS | 40-3-RS | 40-4-RS | 40-5-RS | 40-6-RS | 3/4 | DM-23 | HM-23 | SM-23 (3) |
| 41-2-RS | 41-3-RS | 41-4-RS | 41-5-RS | 41-6-RS | 3/4 | DM-23 | HM-23 | SM-23 (3) |
| 42-2-RS | 42-3-RS | 42-4-RS | 42-5-RS | 42-6-RS | 3/4 | DM-23 | HM-23 | SM-23 (3) |



A SERIES

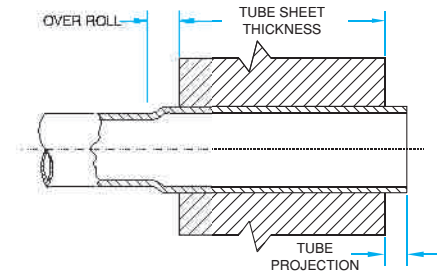


| Tube O.D. | Tube Thickness | | Tube O.D. | Tube Thickness | | Minimum I.D. Tool Enters | | Maximum Expansion Of Tool | | Tube Expander Model Number Tube Sheet Thickness Range | | | | |
|-----------|----------------|-------------|-----------|----------------|-------------|--------------------------|-------|---------------------------|-------|--|--------------|----------------|------------------|------------------|
| | inch | bwg | | inch | bwg | inch | mm | inch | mm | inch | 1/2" To 7/8" | 3/4" To 1.1/8" | 1.1/8" To 1.5/8" | 1.5/8" To 2.1/8" |
| 2.1/2 | 3 | .259 | 2.1/4 | 10 & 11 | .134 & .120 | 47.7 | 1.877 | 54.3 | 2.137 | A-67/2 | A-67/3 | A-67/4 | A-67/5 | A-67/6 |
| 2.1/2 | 4 & 5 | .238 & .220 | 2.1/4 | 12 & 13 | .109 & .095 | 49.3 | 1.940 | 55.9 | 2.200 | A-68/2 | A-68/3 | A-68/4 | A-68/5 | A-68/6 |
| 2.1/2 | 6 & 7 | .203 & .180 | 2.1/4 | 14 - 16 | .083 - .065 | 50.8 | 2.000 | 57.8 | 2.275 | A-69/2 | A-69/3 | A-69/4 | A-69/5 | A-69/6 |
| 2.1/2 | 8 & 9 | .165 & .148 | 2.3/4 | 3 | .259 | 52.4 | 2.062 | 59.4 | 2.338 | A-70/2 | A-70/3 | A-70/4 | A-70/5 | A-70/6 |
| 2.1/2 | 10 & 11 | .134 & .120 | 2.3/4 | 4 | .238 | 54.0 | 2.125 | 61.0 | 2.401 | A-71/2 | A-71/3 | A-71/4 | A-71/5 | A-71/6 |
| 2.1/2 | 12 - 14 | .109 - .083 | 2.3/4 | 5 & 6 | .220 & .203 | 55.6 | 2.188 | 64.0 | 2.519 | A-72/2 | A-72/3 | A-72/4 | A-72/5 | A-72/6 |
| 2.1/2 | 15 & 16 | .072 & .065 | 2.3/4 | 7 & 8 | .180 & .165 | 57.2 | 2.251 | 65.6 | 2.582 | A-73/2 | A-73/3 | A-73/4 | A-73/5 | A-73/6 |
| 3 | 3 | .259 | 2.3/4 | 9 & 10 | .148 & .134 | 58.6 | 2.307 | 67.0 | 2.637 | A-74/2 | A-74/3 | A-74/4 | A-74/5 | A-74/6 |
| 3 | 4 | .238 | 2.3/4 | 11 - 13 | .120 - .095 | 60.4 | 2.377 | 68.8 | 2.708 | A-75/2 | A-75/3 | A-75/4 | A-75/5 | A-75/6 |
| 3 | 5 & 6 | .220 & .203 | 2.3/4 | 14 - 16 | .083 - .065 | 62.2 | 2.448 | 70.4 | 2.771 | A-76/2 | A-76/3 | A-76/4 | A-76/5 | A-76/6 |
| 3 | 7 & 8 | .180 & .165 | - | - | - | 63.6 | 2.503 | 72.0 | 2.834 | A-77/2 | A-77/3 | A-77/4 | A-77/5 | A-77/6 |
| 3 | 9 & 10 | .148 & .134 | 3.1/4 | 3 | .259 | 65.0 | 2.559 | 73.4 | 2.889 | A-78/2 | A-78/3 | A-78/4 | A-78/5 | A-78/6 |
| 3 | 11 - 13 | .120 - .095 | 3.1/4 | 4 | .238 | 66.6 | 2.622 | 75.0 | 2.952 | A-79/2 | A-79/3 | A-79/4 | A-79/5 | A-79/6 |
| 3 | 14 - 16 | .083 - .065 | 3.1/4 | 5 & 6 | .220 & .203 | 68.3 | 2.688 | 76.9 | 3.027 | A-80/2 | A-80/3 | A-80/4 | A-80/5 | A-80/6 |
| 3.1/2 | 2 | .284 | 3.1/4 | 7 & 8 | .180 & .165 | 69.9 | 2.751 | 78.5 | 3.090 | A-81/2 | A-81/3 | A-81/4 | A-81/5 | A-81/6 |
| 3.1/2 | 3 | .259 | 3.1/4 | 9 & 10 | .148 & .134 | 71.5 | 2.814 | 80.1 | 3.153 | A-82/2 | A-82/3 | A-82/4 | A-82/5 | A-82/6 |
| 3.1/2 | 4 | .238 | 3.1/4 | 11 - 13 | .120 - .095 | 73.1 | 2.877 | 81.7 | 3.216 | A-83/2 | A-83/3 | A-83/4 | A-83/5 | A-83/6 |
| 3.1/2 | 5 & 6 | .220 & .203 | 3.1/4 | 14 - 16 | .083 - .065 | 74.6 | 2.937 | 84.2 | 3.314 | A-84/2 | A-84/3 | A-84/4 | A-84/5 | A-84/6 |
| 3.1/2 | 7 & 8 | .180 & .165 | 3.3/4 | 2 | .084 | 76.2 | 3.000 | 85.5 | 3.366 | A-85/2 | A-85/3 | A-85/4 | A-85/5 | A-85/6 |
| 3.1/2 | 9 - 10 | .148 - .120 | 3.3/4 | 3 | .259 | 77.8 | 3.062 | 87.4 | 3.440 | A-86/2 | A-86/3 | A-86/4 | A-86/5 | A-86/6 |
| 3.1/2 | 12 - 16 | .109 - .065 | 3.3/4 | 4 | .238 | 79.4 | 3.125 | 89.0 | 3.503 | A-87/2 | A-87/3 | A-87/4 | A-87/5 | A-87/6 |
| | | | 3.3/4 | 5 & 6 | .220 & .203 | 81.0 | 3.188 | 90.6 | 3.566 | A-88/2 | A-88/3 | A-88/4 | A-88/5 | A-88/6 |
| 4 | 2 | .284 | 3.3/4 | 7 & 8 | .180 & .165 | 82.6 | 3.251 | 92.2 | 3.629 | A-89/2 | A-89/3 | A-89/4 | A-89/5 | A-89/6 |
| 4 | 3 | .259 | 3.3/4 | 9 & 10 | .148 & .134 | 84.2 | 3.314 | 93.8 | 3.629 | A-90/2 | A-90/3 | A-90/4 | A-90/5 | A-90/6 |
| 4 | 4 | .238 | 3.3/4 | 11 - 13 | .120 - .095 | 85.8 | 3.377 | 96.2 | 3.787 | A-91/2 | A-91/3 | A-91/4 | A-91/5 | A-91/6 |
| 4 | 5 & 6 | .220 & .203 | 3.3/4 | 14 - 16 | .083 - .065 | 87.4 | 3.440 | 97.8 | 3.850 | A-92/2 | A-92/3 | A-92/4 | A-92/5 | A-92/6 |
| 4 | 7 & 8 | .180 & .165 | 4.1/4 | 2 | | 89.0 | 3.503 | 99.4 | 3.913 | A-93/2 | A-93/3 | A-93/4 | A-93/5 | A-93/6 |
| 4 | 9 - 11 | .148 - .120 | 4.1/4 | 3 | .284 | 90.4 | 3.559 | 100.8 | 3.968 | A-94/2 | A-94/3 | A-94/4 | A-94/5 | A-94/6 |
| 4 | 12 - 16 | .109 - .065 | 4.1/4 | 4 | .238 | 92.0 | 3.622 | 102.4 | 4.031 | A-95/2 | A-95/3 | A-95/4 | A-95/5 | A-95/6 |
| | | | 4.1/4 | 5 & 6 | .220 & .203 | 93.4 | 3.677 | 103.8 | 4.086 | A-96/2 | A-96/3 | A-96/4 | A-96/5 | A-96/6 |
| 4.1/2 | 2 | .284 | 4.1/4 | 7 & 8 | .180 & .165 | 95.0 | 3.740 | 105.4 | 4.149 | A-97/2 | A-97/3 | A-97/4 | A-97/5 | A-97/6 |
| 4.1/2 | 3 | .259 | 4.1/4 | 9 - 11 | .148 - .120 | 96.6 | 3.803 | 107.0 | 4.212 | A-98/2 | A-98/3 | A-98/4 | A-98/5 | A-98/6 |
| 4.1/2 | 4 & 5 | .238 & .220 | 4.1/4 | 11 - 13 | .120 - .095 | 98.2 | 3.866 | 108.6 | 4.275 | A-99/2 | A-99/3 | A-99/4 | A-99/5 | A-99/6 |
| 4.1/2 | 6 & 7 | .203 & .180 | - | - | - | 101.2 | 3.984 | 110.0 | 4.330 | A-100/2 | A-100/3 | A-100/4 | A-100/5 | A-100/6 |
| 4.1/2 | 8 & 9 | .165 & .148 | - | - | - | 102.8 | 4.047 | 111.6 | 4.393 | A-101/2 | A-101/3 | A-101/4 | A-101/5 | A-101/6 |
| 4.1/2 | 10 - 12 | .134 - .109 | - | - | - | 104.4 | 4.110 | 113.2 | 4.456 | A-102/2 | A-102/3 | A-102/4 | A-102/5 | A-102/6 |

A SERIES

7/8" - 4 1/2"
O.D.

A SERIES



| Spare Rollers Set Model Number Tube Sheet Thickness Range | | | | | Mandrel Square Drive Size inch | Spare Mandrel Model Number | | |
|--|----------------------|------------------------|------------------------|------------------------|--|----------------------------|----------------|--|
| 1/2" To 7/8" | 3/4" To 1.1/8" | 1.1/8" To 1.5/8" | 1.5/8" To 2.1/8" | 2.1/8" To 2.5/8" | | Drum Type | Header Type | Short Series Mandrel Set (No. Of Mandrels) |
| 43-2-RS | 43-3-RS | 43-4-RS | 43-5-RS | 43-6-RS | 3/4 | DM-23 | HM-23 | SM-23 (3) |
| 44-2-RS | 44-3-RS | 44-4-RS | 44-5-RS | 44-6-RS | 3/4 | DM-23 | HM-23 | SM-23 (3) |
| 43-2-RS | 43-3-RS | 43-4-RS | 43-5-RS | 43-6-RS | 3/4 | DM-24 | HM-24 | SM-24 (3) |
| 44-2-RS | 44-3-RS | 44-4-RS | 44-5-RS | 44-6-RS | 3/4 | DM-24 | HM-24 | SM-24 (3) |
| 45-2-RS | 45-3-RS | 45-4-RS | 45-5-RS | 45-6-RS | 3/4 | DM-24 | HM-24 | SM-24 (3) |
| 47-2-RS | 47-3-RS | 47-4-RS | 47-5-RS | 47-6-RS | 3/4 | DM-24 | HM-24 | SM-24 (3) |
| 46-2-RS | 46-3-RS | 46-4-RS | 46-5-RS | 46-6-RS | 1 | DM-25 | HM-25 | SM-25 (3) |
| 47-2-RS | 47-3-RS | 47-4-RS | 47-5-RS | 47-6-RS | 1 | DM-25 | HM-25 | SM-25 (3) |
| 48-2-RS | 48-3-RS | 48-4-RS | 48-5-RS | 48-6-RS | 1 | DM-25 | HM-25 | SM-25 (3) |
| 49-2-RS | 49-3-RS | 49-4-RS | 49-5-RS | 49-6-RS | 1 | DM-25 | HM-25 | SM-25 (3) |
| 50-2-RS | 50-3-RS | 50-4-RS | 50-5-RS | 50-6-RS | 1 | DM-25 | HM-25 | SM-25 (3) |
| 51-2-RS | 51-3-RS | 51-4-RS | 51-5-RS | 51-6-RS | 1 | DM-25 | HM-25 | SM-25 (3) |
| 52-2-RS | 52-3-RS | 52-4-RS | 52-5-RS | 52-6-RS | 1 | DM-25 | HM-25 | SM-25 (3) |
| 51-2-RS | 51-3-RS | 51-4-RS | 51-5-RS | 51-6-RS | 1 | DM-26 | HM-26 | SM-26 (4) |
| 52-2-RS | 52-3-RS | 52-4-RS | 52-5-RS | 52-6-RS | 1 | DM-26 | HM-26 | SM-26 (4) |
| 53-2-RS | 53-3-RS | 53-4-RS | 53-5-RS | 53-6-RS | 1 | DM-26 | HM-26 | SM-26 (4) |
| 54-2-RS | 54-3-RS | 54-4-RS | 54-5-RS | 54-6-RS | 1 | DM-26 | HM-26 | SM-26 (4) |
| 54-2-RS | 54-3-RS | 54-4-RS | 54-5-RS | 54-6-RS | 1 | DM-27 | HM-27 | SM-27 (4) |
| 55-2-RS | 55-3-RS | 55-4-RS | 55-5-RS | 55-6-RS | 1 | DM-27 | HM-27 | SM-27 (4) |
| 56-2-RS | 56-3-RS | 56-4-RS | 56-5-RS | 56-6-RS | 1 | DM-27 | HM-27 | SM-27 (4) |
| 57-2-RS | 57-3-RS | 57-4-RS | 57-5-RS | 57-6-RS | 1 | DM-27 | HM-27 | SM-27 (4) |
| 58-2-RS | 58-3-RS | 58-4-RS | 58-5-RS | 58-6-RS | 1 | DM-27 | HM-27 | SM-27 (4) |
| 59-2-RS | 59-3-RS | 59-4-RS | 59-5-RS | 59-6-RS | 1 | DM-27 | HM-27 | SM-27 (4) |
| 60-2-RS | 60-3-RS | 60-4-RS | 60-5-RS | 60-6-RS | 1 | DM-27 | HM-27 | SM-27 (4) |
| 59-2-RS | 59-3-RS | 59-4-RS | 59-5-RS | 59-6-RS | 1 | DM-28 | HM-28 | SM-28 (4) |
| 60-2-RS | 60-3-RS | 60-4-RS | 60-5-RS | 60-6-RS | 1 | DM-28 | HM-28 | SM-28 (4) |
| 61-2-RS | 61-3-RS | 61-4-RS | 61-5-RS | 61-6-RS | 1 | DM-28 | HM-28 | SM-28 (4) |
| 62-2-RS | 62-3-RS | 62-4-RS | 62-5-RS | 62-6-RS | 1 | DM-28 | HM-28 | SM-28 (4) |
| 63-2-RS | 63-3-RS | 63-4-RS | 63-5-RS | 63-6-RS | 1 | DM-28 | HM-28 | SM-28 (4) |
| 62-2-RS | 62-3-RS | 62-4-RS | 62-5-RS | 62-6-RS | 1 | DM-29 | HM-29 | SM-29 (4) |
| 63-2-RS | 63-3-RS | 63-4-RS | 63-5-RS | 63-6-RS | 1 | DM-29 | HM-29 | SM-29 (4) |
| 64-2-RS | 64-3-RS | 64-4-RS | 64-5-RS | 64-6-RS | 1 | DM-29 | HM-29 | SM-29 (4) |
| 63-2-RS | 63-3-RS | 63-4-RS | 63-5-RS | 63-6-RS | 1 | DM-30 | HM-30 | SM-30 (4) |
| 64-2-RS | 64-3-RS | 64-4-RS | 64-5-RS | 64-6-RS | 1 | DM-30 | HM-30 | SM-30 (4) |
| 65-2-RS | 65-3-RS | 65-4-RS | 65-5-RS | 65-6-RS | 1 | DM-30 | HM-30 | SM-30 (4) |
| 66-2-RS | 66-3-RS | 66-4-RS | 66-5-RS | 66-6-RS | 1 | DM-30 | HM-30 | SM-30 (4) |